

ebmpapst



**Product List
May 2007**

**ELECTRIC
MOTORS**

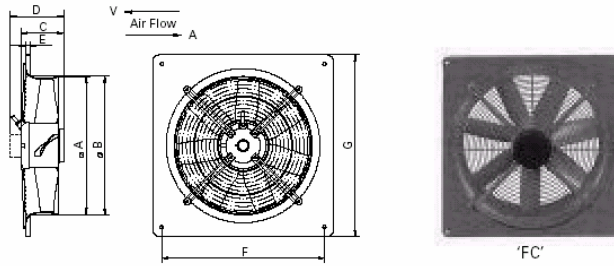
TABLE OF CONTENTS

Ziehl-Abegg Axials.....	3
ebm Axials	4
ebm Grille Assembly.....	5
ebm Centrifugal.....	5
ebm Blowers	6
ebm Compact.....	6
PAPST Compact (EX STOCK)	7
ebm Hot Air Fans	7
Compact Fan Accessories	7
Grilles.....	7
Wall Plates	8
“Q” Motor System Price List.....	8

Ziehl-Abegg Axials

Hamer Code	Stock Code	Airflow or Rotation	Voltage (V)	Phase	Air Volume (m3/Hr)	Speed (RPM)	Power Input (W)	Current (A)	Capacitor (µF)	Max. Air Temperature (C)	Noise Level (dBA@1M)
AB1040	FC050-VDQ.4F.5	V	400	3	8300	1400	550	1.15	-	84	60
AB1030	FC063-VDQ.6K.5L/TEP	V	400	3	18200	1310	1900	3.45	-	90	60

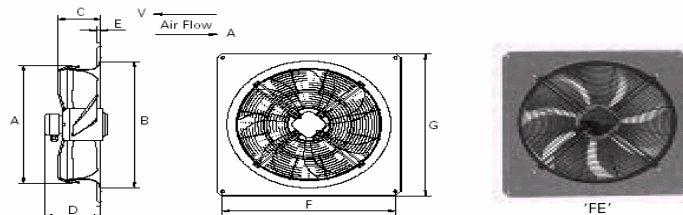
Dimensions	Art #	A	B	C	D	E	F	G
FC050-VDQ.4F.5	102719	517	535			16	560	600
FC063-VDQ.6K.5 L/T	204718	643	670	230	256	20	750	805



GRILLE MAY BE ON AIR INLET 'A' (.3) FLOW
OR OUTLET 'V' (.5) FLOW
PICTURE & DRAWING 'A' (.3) FLOW

Hamer Code	Stock Code	Airflow Or Rotation	Voltage (V)	Phase	Air Volume (m3/Hr)	Speed (RPM)	Power Input (W)	Current (A)	Capacitor (µF)	Noise Level (dBA@1M) r	Max. Air Temperature (C)
AB1060	FE050-VDQ.4I.5 GREY	V	400	3	9700	1340	780	.78	3	69	60
	FE063-VDQ.6N.5- GREY	V	400	3	25600	880	2000	4.0	12	77	50

Dimensions	Art #	A	B	C	D	E	F	G
FE050-VDQ.4I.5- GREY	123218	548	580	153	201	16	560	600
FE080-NDQ.6K.5- GREY	125214	878	910	309	309	20	910	970

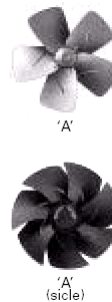
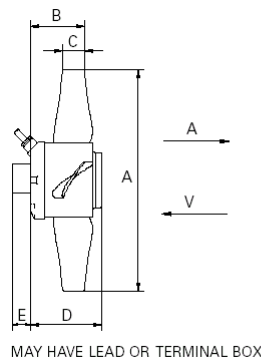


GRILLE MAY BE ON AIR INLET 'A' (.3) FLOW
OR OUTLET 'V' (.5) FLOW
PICTURE & DRAWING 'V' (.5) FLOW

ebm Axials

Hammer Code	Stock Code	Airflow Or Rotation	Voltage (V)	Phase	Air Volume (m3/Hr)	Speed (RPM)	Power Input (W)	Current (A)	Capacitor (µF)	Noise Level (dBA@1M)	Max. Air Temperature (C)
ZE2200	A2E200-AH38-01	V	230	1	910	2600	63	.30	1.5	59	70
ZE2210	A2E200-AI38-01	A	230	1	910	2600	63	.30	1.5	59	70
ZE2220	A4E300-AA03-41	V									
ZE2230	A4E300-AB03-23	A	240	1	1510	1250	75	.32	1.5	70	
ZE2250	A4E350-AA10-32	V	230	1	2940	1400	130	.55	4	68	50
ZE2260	A4S200-AA02-2	A	230	1	375	1380	40	.30		52	50
ZE2270	A4S250-AA04-46	V									
ZE2280	A4S250-AA02-2	A	230	1	870	1400	72	.53	-	58	40

Dimensions	A	B	C	D	E
A2E200 AH38-01	197	56	39	62	-
A2E200 AI38-01	197	52	35	62	-
A4E300 AB03-23	300	76	56	72	-
A4E350 AA10-32	350	91	70	102	-
A4S200 AA02-02	198	48	33	62	-
A4S250-AA02-02	248	58	39	73	-

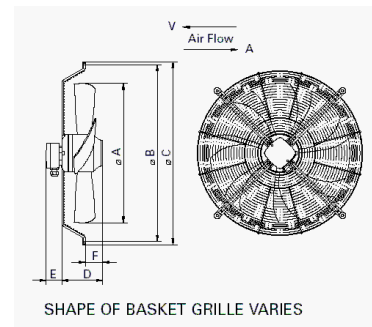
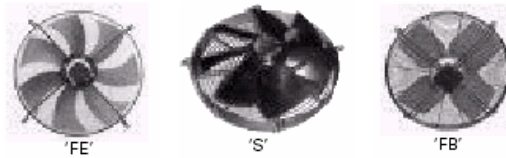


D4 ebm papst

ebm Grille Assembly

Hamer Code	Part No.	Air Flow Direction	Voltage (V)	Phase	Volume (m3/Hr)	Speed (RPM)	Power Input (W)	Current (A)	Capacitor (µF)	Noise Level (dBA@1M)	Max Air Temperature (C)
ZE2300	S4E300 AB03-43	A	240	1	1610	1250	75	.32	1.5	63	60
ZE2301	S4E300 AP26-44	V	230	1	1885	1390	73	.32	2	59	60
ZE2302	S4E350-AP06-60 Std Grill	V	Kirby "S" range, with J Box Class F Ball.Brg								

Dimensions	Art #	A	B	C	D	E	F
S4E300 AB03-43		300	370		72.5	66	27
S4E300 AP26-44		300	360		72.5	66	23



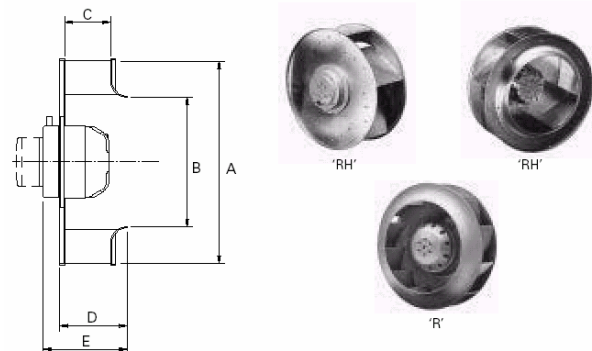
D4 ebm papst

ebm Centrifugal

Backward Curve

Hamer Code	Stock Code	Airflow or Rotation	Voltage (V)	Phase	Air Volume (m3/Hr)	Speed (RPM)	Power Input (W)	Current (A)	Capacitor (µF)	Noise Level (dBA@1M)
ZE2400	R2E190-AE21-88	RH								
ZE2410	R2E220-AA52-72	RH	230	1	860	2600	85	0.38	2.5	72
ZE2420	R2E225-AU64-05	RH								

Dimensions	Art #	A	B	C	D	E
R2E220 AA52-72		220	159	45	63	73



ebm Blowers

Forward Curve Double Inlet

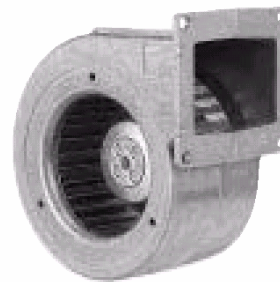
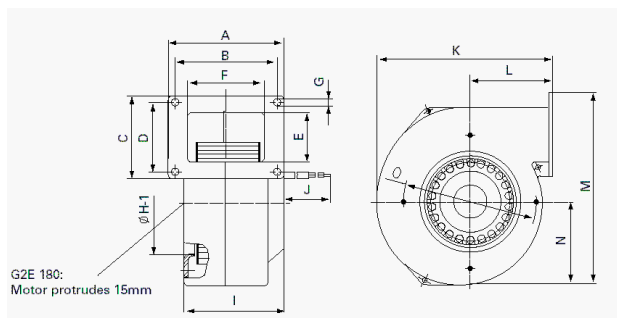
Hamer Code	Stock Code	Airflow Or Rotation	Phase	Air Volume (m3/Hr)e	Power Input (W)	Speed (RPM)	Current (A)	Capacitor (µ/F)	Noise Level (dBA@1M)	Min. Static Pressure (Pa)	Approx Weight (Kg)	Max. Air Temperature (C)
	D2E133-AM83-88	RH	1	1500	185	.81	3	60	-	40	3.5	
ZE2510	D2E146-HT67-01	LH	1	1060	1850	355	1.55	8	66	0	50	3.6
	21958-4-1040	650 long cable connector for D2E146 fans										

Dimensions	A	B	C	D	E	F	G	H	I	J	K	L	M	N
D2E133-AM83-88	-	-	-	-	68	210	-	-	210	500	168	90	180	70
D2E146-HT67-01	198	-	-	-	149	173	-	-	178	-	250	142	216	

Forward Curve Single Inlet

Hamer Code	Stock Code	Airflow Or Rotation	Voltage (V)	Phase	Air Volume (m3/Hr)	Speed (RPM)	Power Input (W)	Current (A)	Capacitor (µ/F)	Noise Level(dBA@1M)	Min. Static Pressure (Pa)	Max. Air Temperature (C)	Approx Weight (Kg)
ZE2600	G2E120-CR26-03	RH	230	1	275	2200	83	.37	2	64		70	1.9
ZE2610	G2E160-AD01-01	RH											

Dimensions	A	B	C	D	E	F	G	H	I	J	K	L	M	N
G2E120 CR26-03	110	94	98	82	67	77	6	95	99	-	171	87	196	80



ebm Compact

AC

Hamer Code	Stock Code	Airflow or Rotation	Additional Details
ZE2700	W2E142-BB01-01	V	Class B, Ball.Brg
ZE2710	W2S130-AA03-63M	V	Heat Transfer Fan
ZE2720	W2S130-AA03-63	V	1500mm long fly lead replaces AA11-10, Class B, Ball.Brg
ZE2730	ADP-001		Spigots for W2S – ZE2720

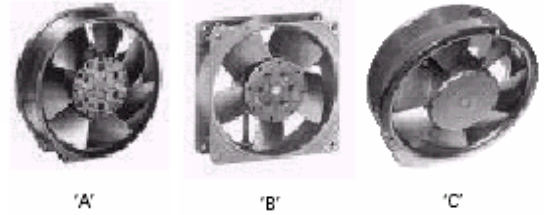
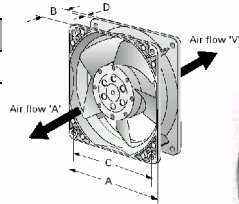
PAPST Compact (EX STOCK)

AC

Hamer Code	Stock Code	Part No.	Air Flow Direction	Voltage(V)	Supply	Air Volume (m3/Hr)	Speed (RPM)	Power Input (W)	Current (A)	Capacitor(µF)	Noise Level(dBA @1M)	Min. Static Pressure (Pa)	Max. Air Temperature (C)
ZE2810	4606Z 855	4606Z 855	V	115	AC	180	3100	18.0				45	85
ZE2800	4656 Z 877	4656Z 877	V	230	AC	160	2650	19.0				40	75
		FLY LEADS											

D4 ebm papst

Dimensions	CASE STYLE	A	B	C	D
4606Z 855	B	119	38		
4656Z 877	B	119	38		
FLY LEADS					



ebm Hot Air Fans

Hamer Code	Stock Code	Airflow or Rotation	Additional Details
ZE2900	R2K150-AC03-25	RH	

Grilles

Basket Grilles To Suit ebm Fans Below:

Hamer Code	Stock Code	Airflow or Rotation	Additional Details
ZE3020	AG250-1		Local grille 200mm (basket)

Flat Grilles To Suit ebm Fans Below:

Hamer Code	Stock Code	Airflow or Rotation	Additional Details
ZE3030	EAG 020		ebm grille 200mm (wall plate)
ZE3040	EAG 025		ebm grille 250mm (wall plate)
ZE3050	EAG 030		ebm grille 300mm (wall plate)

Wall Plates

Hamer Code	Stock Code	Airflow or Rotation	Additional Details
ZE3060	ASP 020		Power coated ebm square wall plate

“Q” Motor System Price List

Hamer Code	Part No.	Power Output (W)	Air Flow Direction	Voltage (V)	Phase	Air Volume (m ³ /Hr)	Speed (RPM)	Power Input (W)	Current (A)	Capacitor (μF)	Noise Level (dBA@1M)	Min Static Pressure (Pa)	Max. Air Temperature (C)
ZE1100	Q motor screws	Mounting screws											
ZE1110	M4Q045 BD01-38	5		230			1300	29	.19				
ZE1115	M4Q045 CA01-38	7		230			1300	31	.20	MOUNTING SCREWS TO SUIT “Q” MOTOR ARE AVAILABLE PRICED SEPERATELY PART NUMBER ZE1100			
ZE1120	M4Q045 CA03-38	10		230			1300	36	.25				
ZE1125	M4Q045 CF01-38	16		230			1300	60	.42				
ZE1130	M4Q045 DA05-38	23		230			1300	86	.62				
ZE1135	M4Q045 EA01-38	25		230			1300	90	.62				
ZE1140	M4Q045 EF01-38	34		230			1300	110	.75				

D4 ebm papst

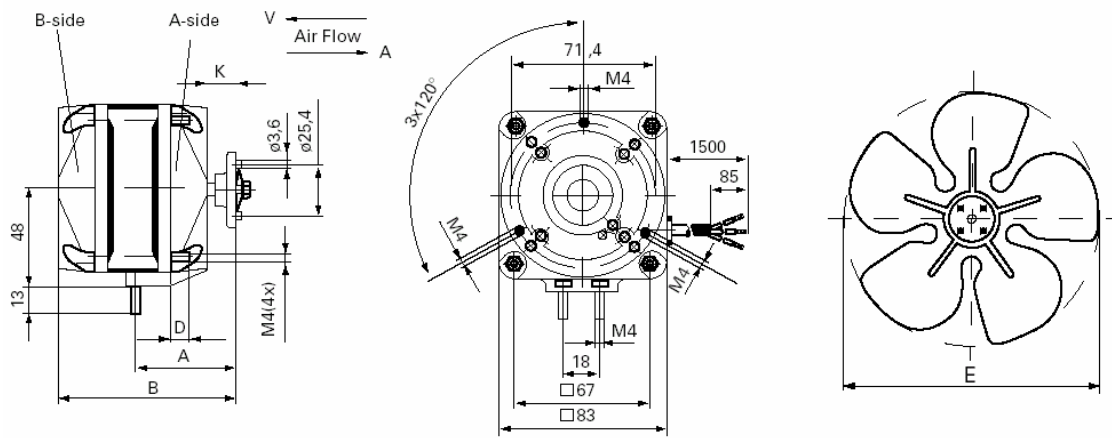
Recommended “A” Flow Impellers

Diameter	154	172	200	230	254	300
M4Q045-BD01-38	73763	73766	73768			
M4Q045-CA01-38			73769	73770		
M4Q045-CA03-38				73771	73773	
M4Q045-CF01-38					73774	
M4Q045-DA05-38	(All Impeller part numbers end					73776
M4Q045-EA01-38	-----2-3634					73776
M4Q045-EF01-38						73777

Recommended “V” Flow Impellers

Diameter	154	172	200	230	254	300
M4Q045-BD01-38	73803	73806	73808			
M4Q045-CA01-38			73809	73810		
M4Q045-CA03-38				73811	73813	

M4Q045-CF01-38					73814	
M4Q045-DA05-38	(All Impeller part numbers end -----2-3634					73816
M4Q045-EA01-38						73816
M4Q045-EF01-38						73817



Multiple Fastening Locations